

Mi-T-M[®] CORPORATION

8650 Enterprise Drive, Peosta IA 52068

563-556-7484 / Fax 563-556-1235

PARTS LIST FOR ***CM-1250-0MEH***

Motor Horsepower:

1.5 H.P.

Pump Oil Grade:

Mi-T-M Pump Oil #AW-4085-0016

Pump Oil Capacity:

11.2 oz.

Nozzle Size:

1.20 mm

This Parts Listing has been compiled for your benefit. You can be assured your cold water pressure washer was constructed and designed with quality and performance in mind. Each component has been rigorously tested to insure the highest level of quality.

The contents of this Parts Listing are based on the latest product information available at the time of publication. The manufacturer reserves the right to make changes in price, color, materials, equipment, specifications or models at any time without notice.

WARNING

THIS IS A PROFESSIONAL HIGH PRESSURE, COLD WATER PRESSURE WASHER. CAUTION SHOULD BE OBSERVED WHEN USING OR REPAIRING THIS UNIT! READ AND FOLLOW THE SAFETY WARNINGS LISTED BELOW BEFORE ATTEMPTING ANY REPAIRS ON THIS PRESSURE WASHER!

SAFETY WARNINGS

1. NEVER alter or modify the equipment. Be sure any accessory items and system components being used will withstand the pressure developed. Use only genuine manufacturer parts for repair of your pressure washer. Failure to do so can cause hazardous operating conditions and will VOID warranty.
2. NEVER make adjustments on machinery while the unit is connected to the engine without first removing the ignition cable from the spark plug. Turning over the machinery by hand during adjustment or cleaning might start the engine and machinery with it, causing serious injury to the operator.
3. Know how to stop and bleed pressures quickly. Be thoroughly familiar with controls.
4. Before servicing the unit, turn unit off, relieve the water pressure and allow the unit to cool down. Do not make repairs while the unit is running. Service in a clean, dry, flat area. Block the wheels to prevent the unit from moving. Be especially careful to properly dispose of any flammable materials.
5. After testing the machine, DO NOT leave the pressurized unit unattended. Shut off the unit and release trapped pressure before leaving.

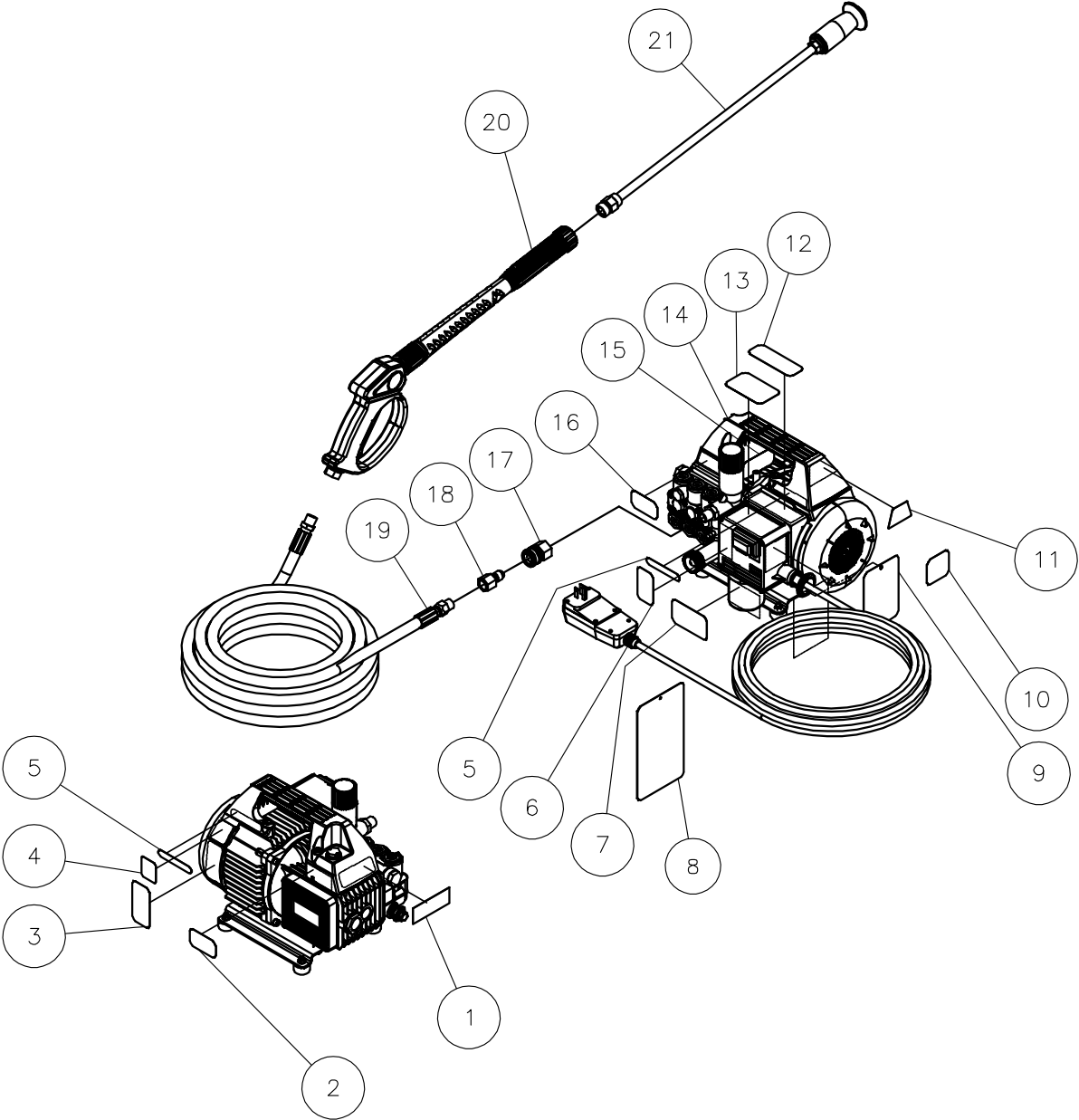
Table of Contents

SPECIFICATIONS	3
FRAME ASSEMBLY FOR CM-1250-0MEH	4
MOTOR / PUMP ASSEMBLY (3-0237)	6
UNLOADER ASSEMBLY (8-0545)	8
GUN / LANCE ASSEMBLY (16-0404)	10
LANCE ASSEMBLY (16-0388)	12
NOTES	14-15

SPECIFICATIONS

MODEL NUMBER	CM-1250-0MEH
Operating Pressure (PSI/Bar):	1250/86
High Pressure Nozzle:	1.20 mm
Water Volume (GPM/lpm):	1.75/6.6
Motor:	Totally enclosed fan cooled, circuit breaker thermal overload protection, 35ft. power supply cord with Ground Fault Circuit Interrupter (GFCI)
Horsepower	1.5
Voltage	120
Phase	Single
Amps	15.0
Pump:	Direct Driven, Oil Bath, Triplex Piston
Oil Type	Mi-T-M Pump Oil #AW-4085-0016
Oil Capacity (oz./liters)	11.2/0.33
Plungers	Ceramic
Manifold	Forged Brass
Valves	Stainless Steel
Unloader	Adjustable
Thermal Relief Valve	Relieves heated water during unloader bypass stage
Detergent Injector	Adjustable low pressure down stream from pump
Unit Net Weight (lbs/Kg)	35/16
Unit Shipping Weight (lbs/Kg)	52/23.5
Unit Net Dimension (in/cm)	12Lx9.5Wx9.75H/30.5Lx24Wx24.5H
Unit Shipping Dimension (in/cm)	23.5Lx14.25Wx14H/59.5Lx36Wx35.5H

FRAME ASSEMBLY FOR CM-1250-0MEH

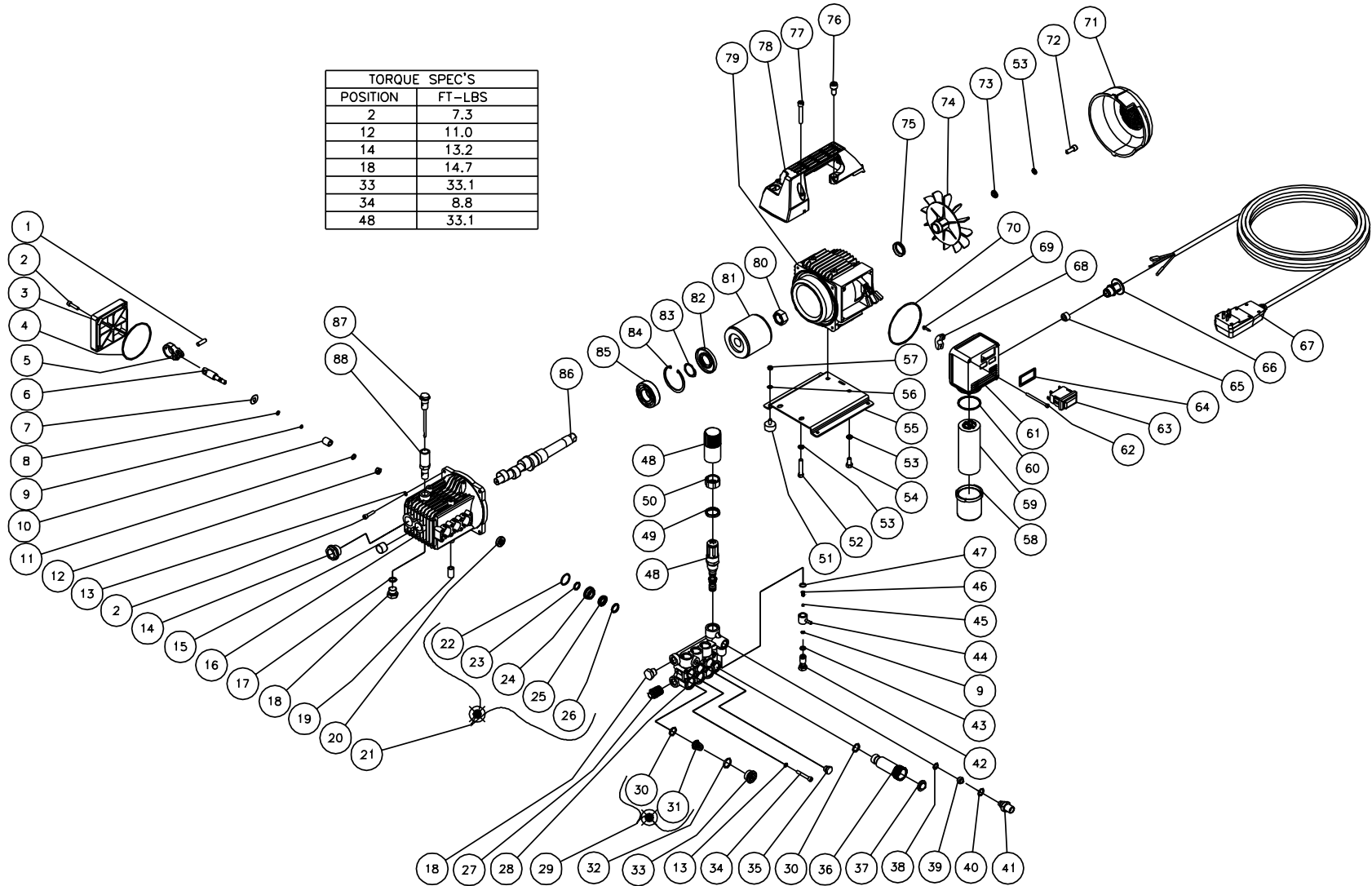


CM-1250-0MEH-080603-RD

FRAME ASSEMBLY FOR CM-1250-0MEH			
REF. #	DESCRIPTION	PART #	QTY.
1	Decal- Mi-T-M Logo	34-1435	2
2	Decal- Warning (Spanish Only) (See 34-9004)	N/A Sep.	1
3	Decal- Caution (Spanish Only) (See 34-9004)	N/A Sep.	1
4	Decal- Connection (Spanish Only) (See 34-9004)	N/A Sep.	1
5	Decal- PSI/GPM (See 34-9004)	N/A Sep.	2
6	Decal- Caution (English Only) (See 34-9004)	N/A Sep.	1
7	Decal- Warning: Risk of Electrocution (Spanish Only) (See 34-9004)	N/A Sep.	1
8	Hang Tag- Warning: Risk of Electrocution (E/F/S)	34-1035	1
9	Hang Tag- Warnings (French Only)	34-1432	1
10	Decal- Connection (English Only) (See 34-9004)	N/A Sep.	1
11	Decal- Caution: Hot Surfaces (E/S) (See 34-9004)	N/A Sep.	1
12	Decal- Warning: Risk of Injection (E/S) (See 34-9004)	N/A Sep.	1
13	Decal- Warning: Risk of Electrocution (English Only) (See 34-9004)	N/A Sep.	1
14	Motor/Pump Assembly	3-0237	1
15	Decal- Data Plate	N/A	1
16	Decal- Warning (English Only) (See 34-9004)	N/A Sep.	1
17	Quick Connect Socket	17-0004	1
18	Quick Connect Plug	17-0006	1
19	Pressure Hose	15-0138	1
20	Gun/Wand Assembly	16-0404	1
21	Lance w/Variable Nozzle- 1.2mm	16-0388	1
	Safety Decal Kit (Inc. 2-7, 10-13, 16)	34-9004	

MOTOR / PUMP ASSEMBLY (3-0237)

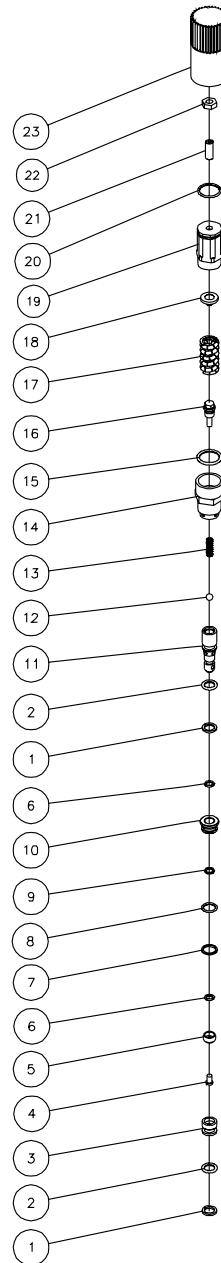
TORQUE SPEC'S	
POSITION	FT-LBS
2	7.3
12	11.0
14	13.2
18	14.7
33	33.1
34	8.8
48	33.1



3-0237-080703-RD

MOTOR / PUMP ASSEMBLY (3-0237)											
REF #	DESCRIPTION	PART #	QTY	REF #	DESCRIPTION	PART #	QTY	REF #	DESCRIPTION	PART #	QTY
1	Wrist Pin	43-0044	3	32	O-ring	25-0012	6	63	Switch (ON/OFF)	32-0797	1
2	Bolt	27-8869	8	33	Valve Plug	39-0035	6	64	Switch Gasket	26-0283	1
3	Crankcase Cover	46-1110	1	34	Bolt	27-8406	8	65	Power Cord Gasket	26-0282	1
4	O-ring	25-0332	1	35	Plug	39-0017	1	66	Power Cord Strain Relief	32-0795	1
5	Connecting Rod	46-0152	3	36	Inlet Fitting	23-0433	1	67	GFCI Cord Set	32-0796	1
6	Piston Guide	46-0149	3	37	Inlet Washer Filter w/Screen	19-0001	1	68	Wire Clamp	62-0167	1
7	Washer	46-0167	3	38	O-ring	25-0050	1	69	Screw	27-5029	2
8	Back-up Ring	25-0143	3	39	Nozzle	62-0170	1	70	O-ring	25-0554	1
9	O-ring	25-0045	4	40	O-ring	25-0051	1	71	Fan Cover	62-0168	1
10	Plungers	46-0148	3	41	Discharge Nipple	8-0130	1	72	Screw	27-8432	1
11	Washer	46-0166	3	42	Injector Valve Seat	8-0174	1	73	Fan Bushing	9-0079	1
12	Nut	46-0168	3	43	O-ring	25-0014	1	74	Fan Motor	52-0060	1
13	Lockwasher	29-0153	12	44	Hose Barb	46-0789	1	75	Seal Fan Ring	26-0281	1
14	Oil Level Indicator w/O-ring	46-0114	1	45	Ball	50-0012	1	76	Screw	27-8471	2
15	Bearing Needle	48-0019	1	46	Spring	49-0020	1	77	Bolt	27-9569	2
16	Crankcase	46-1112	1	47	O-ring	25-0120	1	78	Carry Handle	N/A	1
17	O-ring	25-0052	1	48	Unloader Assembly	8-0545	1	79	Stator	N/A	1
18	Plug	39-0018	2	49	Locknut	30-9523	1	80	Nut	N/A	1
19	Baseplate Spacer	33-0420	2	50	Lock Sleeve	30-9522	1	81	Rotor	N/A	1
20	Seal	26-0111	3	51	Isolator	14-0094	4	82	Seal	26-0280	1
21	Packing Kit (Inc. 22-26) (See 70-0378)	N/A Sep.	1	52	Bolt	27-8802	2	83	Snap Ring	46-0245	1
22	O-ring	25-0141	3	53	Lockwasher	29-0154	5	84	Snap Ring	46-0106	1
23	O-ring	25-0128	3	54	Bolt	27-8042	2	85	Ball Bearing	48-0024	1
24	Packing Retainer	46-0158	3	55	Base Plate	5-0193	1	86	Crank	N/A	1
25	Packing	46-0157	3	56	Washer	28-0200	4	87	Oil Dipstick	46-0155	1
26	Head Ring	46-0156	3	57	Nut	30-3024	4	88	Oil Dipstick Spacer	46-0154	1
27	Thermal Relief Valve	22-0370	1	58	Capacitor Cover	62-0165	1		Valve Kit (Inc. 6 each of 30, 31)	70-0009	
28	Manifold	46-0279	1	59	Capacitor	32-0185	1		V-Packing Kit (Inc. 3 each of 22, 23, 25, 26)	70-0379	
29	Valve Kit (Inc. 30, 31) (See 70-0009)	N/A Sep.	1	60	O-ring	25-0140	1		V-Packing Assembly (Inc. 22-26)	70-0378	
30	O-ring	25-0053	7	61	Electrical Box	62-0166	1				
31	Valve Assembly	22-0056	6	62	Bolt	27-8395	4				

UNLOADER ASSEMBLY (8-0545)

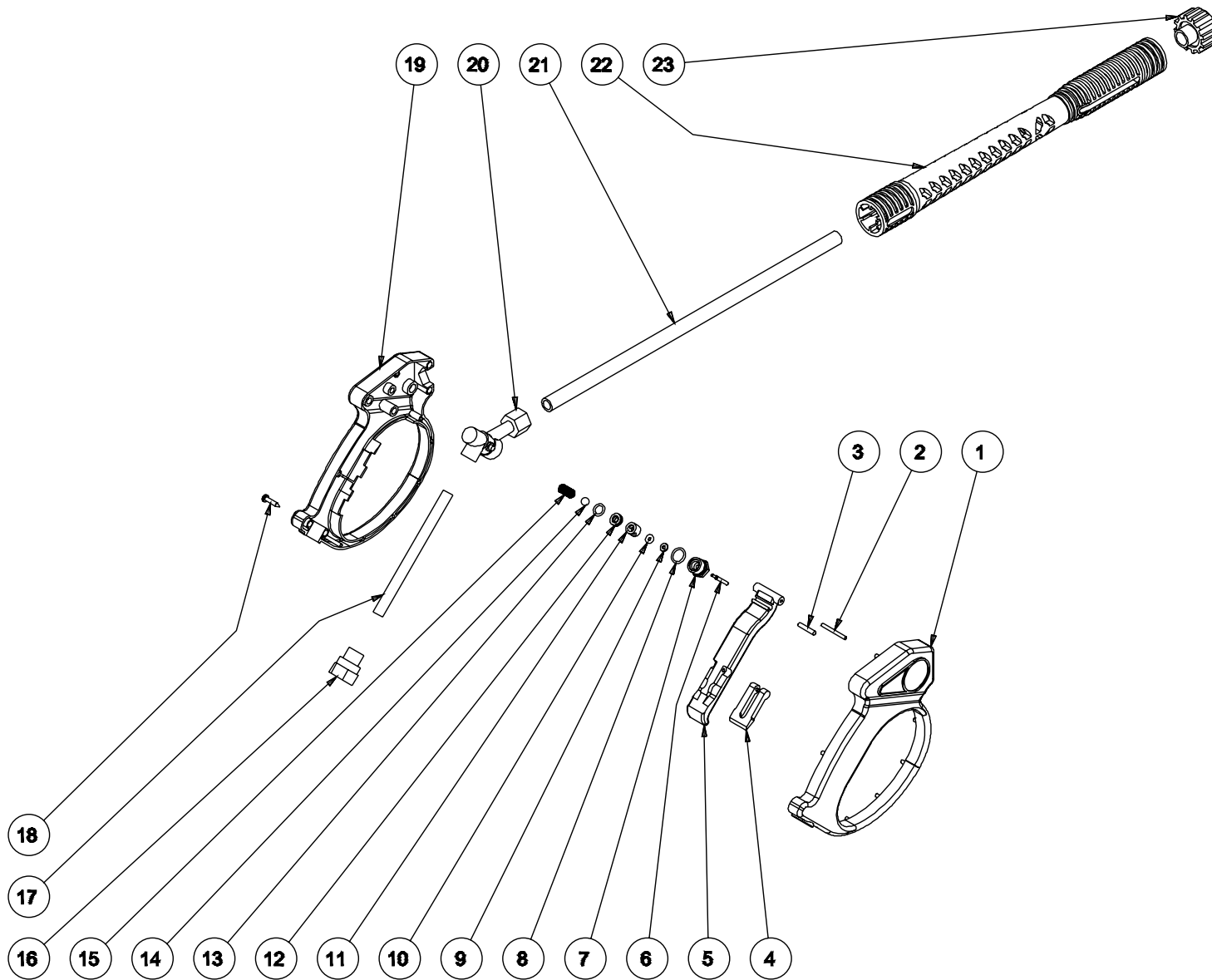


8-0545-080103-RD

UNLOADER ASSEMBLY (8-0545)

REF. #	DESCRIPTION	PART #	QTY.	REF. #	DESCRIPTION	PART #	QTY.
1	Anti Extrusion Ring	8-0284	2	13	Compression Spring	49-0070	1
2	O-ring	25-0050	2	14	Cap	8-0290	1
3	Valve Seat	8-0234	1	15	O-ring	25-0012	1
4	Unloader Valve Screw	8-0285	1	16	Unloader Stop Pin	8-0289	1
5	Unloader Valve	22-0130	1	17	Compression Spring	49-0050	1
6	O-ring	25-0167	2	18	Cap	39-0043	1
7	Anti Extrusion Ring	8-0286	1	19	Unloader	8-0292	1
8	O-ring	25-0169	1	20	O-ring	25-0129	1
9	Anti Extrusion Ring	8-0287	1	21	Set Screw	27-9570	1
10	Valve Guide	8-0231	1	22	Nut	8-0293	1
11	Unloader Piston	8-0288	1	23	Handle	7-0071	1
12	Ball	8-0233	1		Unloader Kit (Inc. 1-16)	70-0010	

GUN / LANCE ASSEMBLY (16-0404)

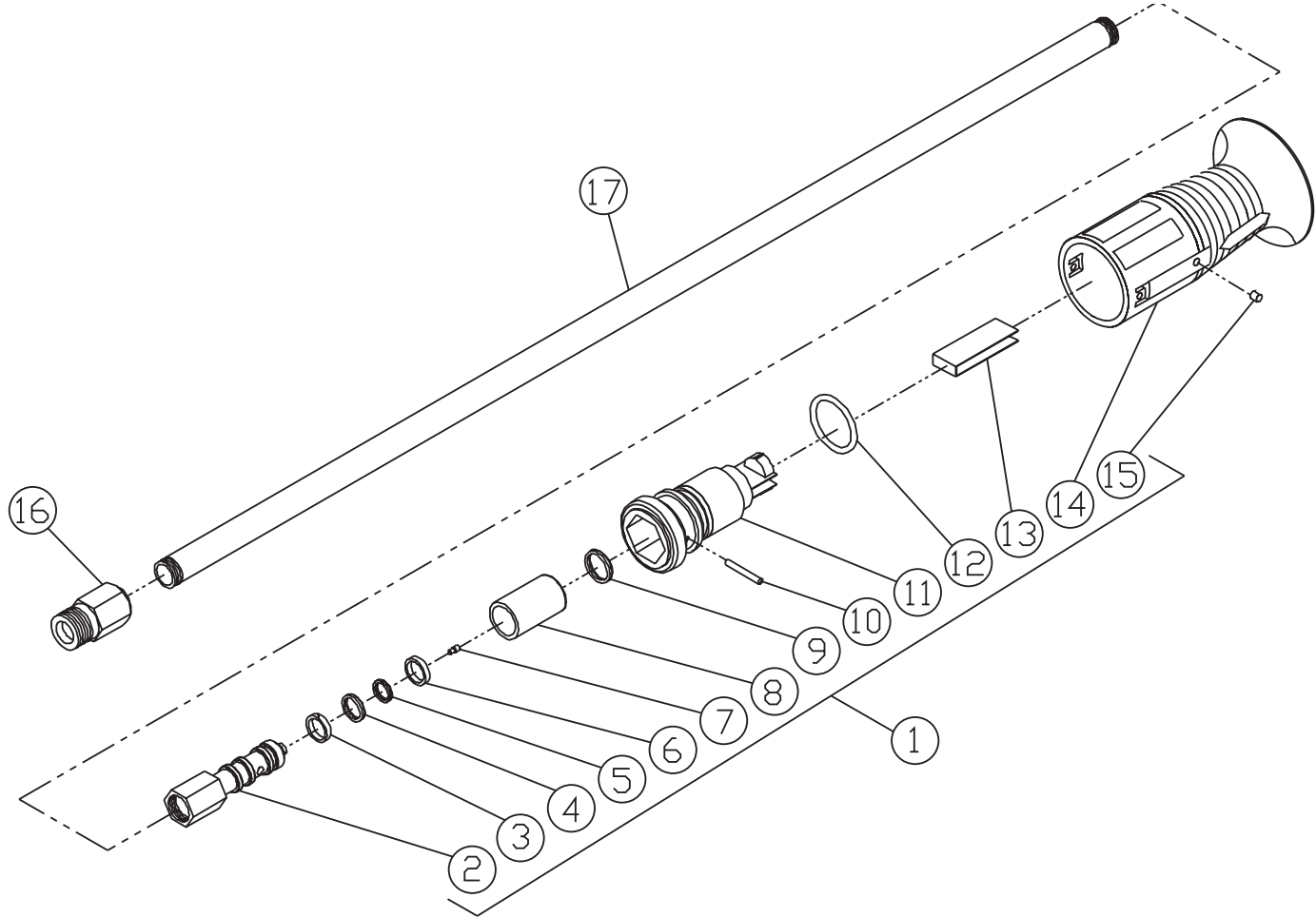


16-0404-061303-DLG

GUN/LANCE ASSEMBLY (16-0404)

REF. #	DESCRIPTION	PART #	QTY.	REF. #	DESCRIPTION	PART #	QTY.
1	Gun Body (Right Side)	16-0405	1	13	O-ring (See 70-0375)	N/A Sep.	1
2	Pin	43-0114	1	14	Ball (See 70-0375)	N/A Sep.	1
3	Pin	43-0115	1	15	Spring Ball (See 70-0375)	N/A Sep.	1
4	Trigger Lock	16-0406	1	16	Female Inlet	23-0384	1
5	Trigger	16-0407	1	17	Pipe	16-0408	1
6	Pin (See 70-0375)	N/A Sep.	1	18	Screw	27-8862	6
7	Plug	23-0434	1	19	Gun Body (Left Side)	16-0409	1
8	O-ring	N/A	1	20	Body	23-0436	1
9	Backup Ring (See 70-0375)	N/A Sep.	1	21	Pipe	16-0410	1
10	O-ring (See 70-0375)	N/A Sep.	1	22	External Body	16-0411	1
11	Plug	23-0435	1	23	Screw Connect Coupling	16-0337	1
12	Seat (See 70-0375)	N/A Sep.	1		Gun Repair Kit (Inc. 6, 7, 9, 10, 12-15)	70-0375	

LANCE ASSEMBLY (16-0388)



16-0381-081103-DLG

LANCE ASSEMBLY (16-0388)

REF. #	DESCRIPTION	PART #	QTY.		REF. #	DESCRIPTION	PART #	QTY.
1	Nozzle Assembly (Inc. 2-15)	18-0274	1		11	Plastic Housing (See 16-0274)	N/A Sep.	1
2	Nozzle Body	18-0284	1		12	O-ring	25-0342	1
3	Back-up Ring	25-0346	1		13	Angle Plate	18-0283	1
4	O-ring	25-0345	1		14	Nozzle Protector	18-0353	1
5	O-ring	25-0343	1		15	I.D. Pin	18-0286	1
6	Back-up Ring	25-0344	1		16	Coupling	16-0378	1
7	Nozzle- 1.20mm	18-0237	1		17	Pipe	16-0379	1
8	Sleeve (See 16-0274)	N/A Sep.	1			Repair Kit (Inc. 4-6, 13)	70-0303	
9	O-ring	25-0419	1			Complete Lance Assembly (Inc. 1-17)	16-0388	
10	Pin	43-0083	1					

NOTES

NOTES

