

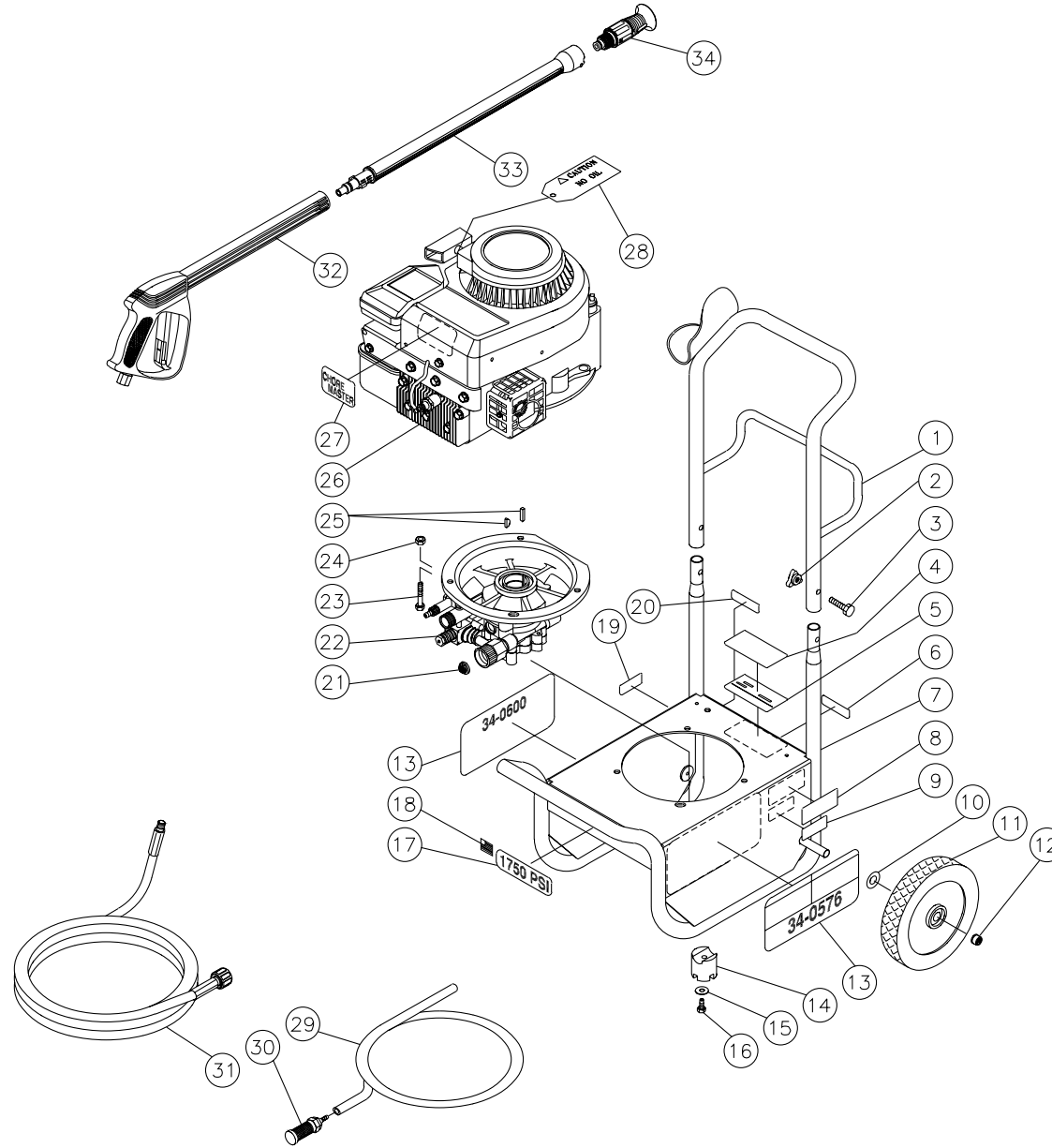
Mi-T-M[®] CORPORATION

**8650 ENTERPRISE DRIVE
PEOSTA, IA 52068-0050**

CV-1750-1JBC PARTS LIST

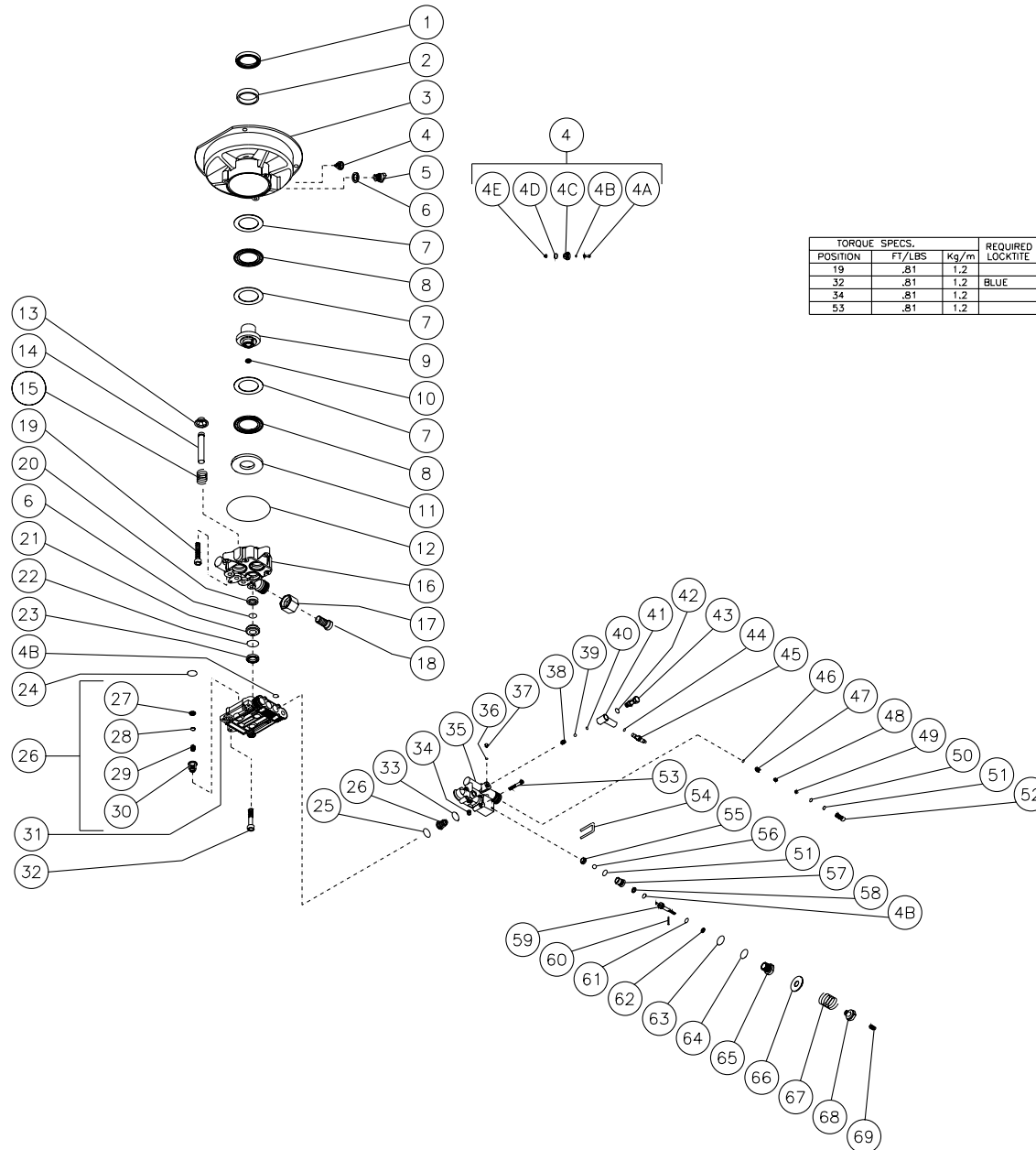
Engine Oil Grade:	SAE 30W
Engine Oil Capacity:	20 oz.
Pump Oil Grade:	Mi-T-M Pump Oil AW-4085-0016
Pump Oil Capacity (Sealed):	4.50 oz.
Nozzle Size:	1.20 mm

FRAME ASSEMBLY FOR CV-1750-1JBC



FRAME ASSEMBLY FOR CV-1750-1JBC								
REF. #	DESCRIPTION	PART #	QTY.		REF. #	DESCRIPTION	PART #	QTY.
1	Handle	7-0116A01	1		19	Decal-Caution: Allow to Cool E/S	34-0599	1
2	Knob	7-0115	2		20	Decal-Tech. Service Number	34-0603	1
3	Bolt	27-0017	2		21	Filter	19-0001	1
4	Decal-Clear Laminate	34-0210	1		22	Pump	3-0151	1
5	Decal-ID Silver Sticker	34-0486	1		23	Bolt	27-0069	3
6	Decal-Serial Number	N/A	1		24	Locknut	30-0157	3
7	Frame	5-0116A01	1		25	Key-Woodruff	43-0081	1
8	Decal-Warning: Muffler Hot E/S	34-0598	1		--	Key-Square	43-0085	1
9	Decal-Vertical Patent	34-0736	1		26	Engine	1-0076	1
10	Washer	28-0006	5		27	Decal-Chore Master	34-0591	1
11	Wheel	14-0051	2		28	Tag-Shipped With No Oil	34-0732	1
12	Hub Cap	33-0055	2		29	Detergent Hose *(4 feet required)	15-0021	1
13	Decal-Warn/Caution/Oper. English	34-0576	1		30	Detergent Strainer	19-0050	1
--	Decal-Warn/Caution/Oper. Spanish	34-0600	1		31	Pressure Hose	15-0167	1
14	Isolator	14-0063	2		32	Gun Assembly	16-0337	1
15	Washer	28-0021	2		33	Lance	16-0338	1
16	Screw	27-3096	2		34	Variable Nozzle Assembly	18-0312	1
17	Decal-1750 PSI	34-0595	1			*Must order in one foot lengths		
18	Decal-American Flag	34-0521	1					

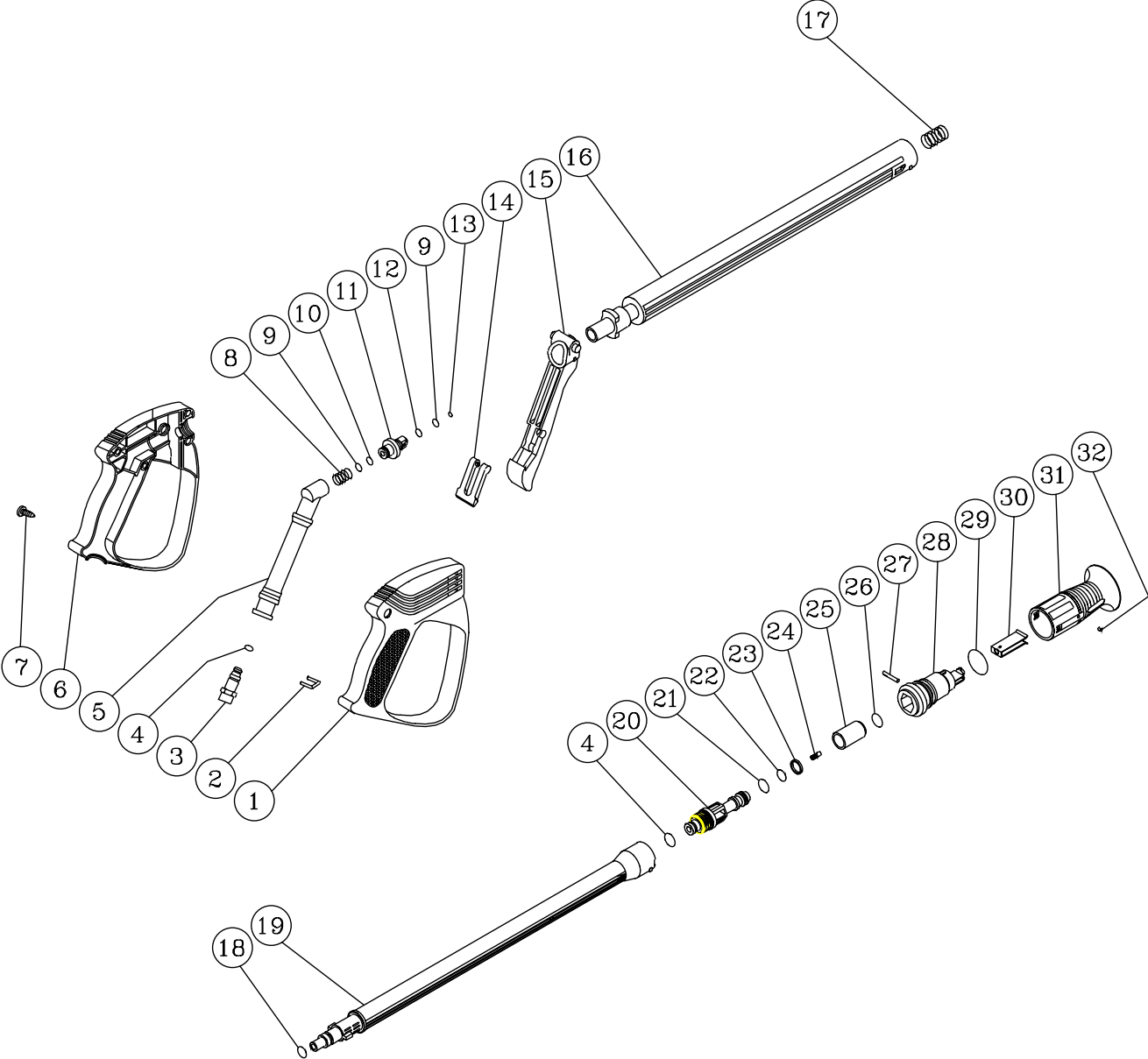
PUMP ASSEMBLY (3-0151)



OMPMP042-110797-DCE

PUMP ASSEMBLY (3-0151)											
REF #	DESCRIPTION	Mi-T-M #	QTY	REF #	DESCRIPTION	Mi-T-M #	QTY	REF #	DESCRIPTION	Mi-T-M #	QTY
1	Oil Seal (See 70-0189)	N/A Sep.	1	24	O-ring	25-0359	3	52	Injector Body	46-0360	1
2	Bushing (See 70-0189)	N/A Sep.	1	25	O-ring	25-0360	3	53	Bolt	27-8893	4
3	Flange (See 70-0189)	N/A Sep.	1	26	Valve Complete (See 70-0191, Inc. 24-26)	N/A Sep.	6	54	U-Clip	46-0741	1
4	Oil Vent Assembly (4A-4E)	22-0223	1	27	Valve Seat	N/A Sep.	6	55	Valve Seat Plate	46-0686	1
4A	Oil Vent	N/A Sep.	1	28	Valve Plate	N/A Sep.	6	56	Ball	46-0685	1
4B	O-ring	25-0230	3	29	Valve Spring	N/A Sep.	6	57	Unloader Seat	46-0352	1
4C	Oil Vent	N/A Sep.	1	30	Valve Cage-Plastic	N/A Sep.	6	58	Backup Ring	25-0247	1
4D	O-ring	N/A Sep.	1	31	Pump Head	46-0739	1	59	Piston Bypass Valve (See 70-0193)	N/A Sep.	1
4E	Oil Vent-Spring	N/A Sep.	1	32	Bolt	27-8892	5	60	Roll Pin	46-0364	1
5	Oil Sight Glass-Plastic	46-0735	1	33	O-ring	25-0361	4	61	O-ring	25-0242	1
6	O-ring	25-0255	4	34	Plug	27-8868	1	62	Backup Ring	25-0246	1
7	Thrust Washer	48-0056	3	35	Pump Manifold	46-0740	1	63	O-ring	25-0231	1
8	Thrust Needle Roller Bearing	48-0057	2	36	O-ring	25-0357	1	64	O-ring	25-0263	1
9	Wobble Plate - 7.5	46-0662	1	37	Bolt	27-8894	1	65	Body Bypass Valve	8-0470	1
10	Plug	39-0082	1	38	Detergent Injector Spring (See 70-0102)	N/A Sep.	1	66	Washer	28-0295	1
11	Thrust Washer	48-0064	1	39	Detergent Injector Ball (See 70-0102)	N/A Sep.	1	67	Pressure Regulating Spring - 2000 PSI	49-0131	1
12	O-ring	25-0358	1	40	O-ring (See 70-0102)	N/A Sep.	1	68	Pressure Regulating Nut	8-0471	1
13	Retainer	46-0663	3	41	Detergent Injector Adapter	46-0636	1		Flange Assembly (Includes 1-3)	70-0189	
14	Piston-Stainless Steel	46-0664	3	42	O-ring (See 70-0102)	N/A Sep.	1		Piston Assembly (Includes 13-14)	70-0190	
15	Spring	49-0129	3	43	Banjo Fitting	46-0637	1		Packing Kit (Includes 3 each 22, 23)	70-0195	
16	Pump Housing	46-0736	1	44	O-ring	25-0341	1		Valve Kit (Includes 24-26)	70-0191	
17	Garden Hose Connection	23-0304	1	45	Hose Barb - Detergent Injector	46-0638	1		Injector Repair Kit (Inc. 38-40, 42)	70-0102	
18	Garden Hose Adapter	23-0305	1	46	O-ring	25-0334	1		Unloader Check Valve Kit (Inc. 46-52)	70-0108	
19	Bolt	27-8404	3	47	Check Valve	22-0158	1		Unloader Seat Kit (Includes 51, 55-57)	70-0192	
20	Oil Seal	26-0195	3	48	Spring - Check Valve	49-0130	1		Unloader Stem Kit (Inc. 4B, 58-68)	70-0193	
21	Retainer	46-0737	3	49	Injector Nozzle	46-0356	1		Manifold Assy. (Inc. 4B, 34-43, 46-68)	70-0194	
22	O-ring (See 70-0195)	N/A Sep.	3	50	O-ring	25-0362	1				
23	Pressure Seal (See 70-0195)	N/A Sep.	3	51	O-ring	25-0248	2				

GUN (16-0337) & LANCE (16-0338) ASSEMBLY



OMGEN234A-012797-JTR

GUN (16-0337) & LANCE (16-0338) ASSEMBLY							
REF. #	DESCRIPTION	PART #	QTY.	REF. #	DESCRIPTION	PART #	QTY.
1	Plastic Housing-Right Side	62-0101	1	19	Lance (See 16-0338)	N/A Sep.	1
2	U-Clip	16-0340	1	20	Nozzle Body	18-0315	1
3	Inlet Adapter	23-0303	1	21	O-ring	25-0345	1
4	O-ring	25-0364	2	22	O-ring	25-0343	1
5	Inlet Tube	16-0339	1	23	Back-up Ring	25-0344	1
6	Plastic Housing-Left Side	62-0102	1	24	Nozzle - 1.20mm	18-0237	1
7	Screw	27-8382	6	25	Sleeve (See 18-0312)	N/A Sep.	1
8	Spring	49-0117	1	26	O-ring	25-0419	1
9	O-ring	25-0415	2	27	Pin	43-0083	1
10	Back-up Ring	25-0416	1	28	Housing-Plastic (See 18-0312)	N/A Sep.	1
11	Valve (See 70-0188)	N/A Sep.	1	29	O-ring	25-0342	1
12	Back-up Ring	25-0417	1	30	Nozzle Angle Plate	18-0283	1
13	O-ring	25-0253	1	31	Nozzle Protector	18-0301	1
14	Trigger Safety Lock	62-0097	1	32	I.D. Pin - Yellow	18-0286	1
15	Trigger	62-0098	1		Gun Assembly (1-17)	16-0337	
16	Wand	16-0341	1		Lance Assembly (18-19)	16-0338	
17	Spring	49-0128	1		Nozzle Assembly (4, 20-32)	18-0312	
18	O-ring	25-0418	1		Gun Repair Kit (8-13)	70-0188	

